



WALRUS
PUMP

WQ_B Series

**Water-Cooled
Electronic Control
Pump**



**Better Life
Through Innovation**

WQ_B Series Water-Cooled Electronic Control Pump

50 Hz

Power: 0.18 - 0.75 kW

Head: Up to 34 M

Flow: Up to 125 L/min

Outlet: 1"

Inlet: 1"

60 Hz

Power: 0.18 - 0.75 kW

Head: Up to 45 M

Flow: Up to 135 L/min

Outlet: 3/4" - 1"

Inlet: 3/4" - 1"



Construction Industry



Agriculture & Fishing Industry



Manufacturing Industry



Electricity & New Energy Industry



Entertainment & Leisure Industry



Accommodation & Food Service Industry



Wholesale & Retail Industry



Water Supply & Pollution Control



Service Industry

Product Features

- All-in-one unit, consisting of pump, motor, pressure tank, and electronic controller. The built-in electronic controller provides constant pressure which ensures that the pump starts automatically when water is consumed and operates continuously until water is not required.
- Wet parts are constructed from top-quality corrosion-resistant materials.
- The impeller adopts a 304 stainless steel multi-stage centrifugal design, with high strength, high energy efficiency, and low noise during operation.
- The motor has a built-in thermal overload to protect against high operating temperatures and overcurrent.
- When the pump's internal temperature exceeds 55°C due to waterless operation, the pump automatically stops running. It also comes with program-controlled waterless protection.
- Anti-cycling function to avoid frequent pump start-stop problems caused by low water flow.

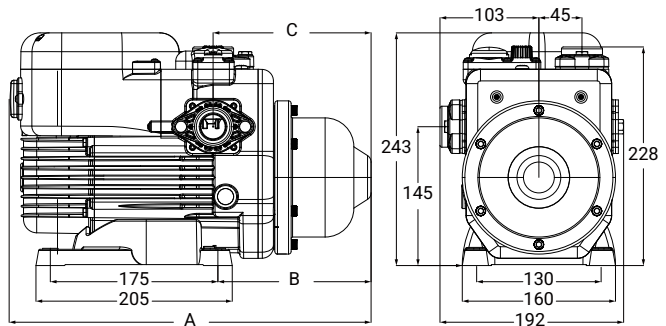
Operating Conditions

- Ambient Temperature: Max. +40°C
- Liquids Temperature: +4°C ~ +40°C
- Relative humidity: Max. 85% (RH)
- System Pressure: Max. 8.5 kg/cm²
- Inlet Pressure: Must be less than the pressure switch start value.

Applications

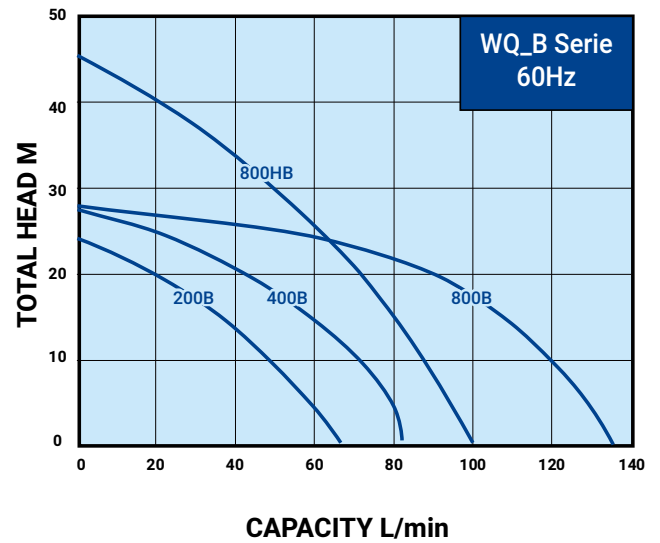
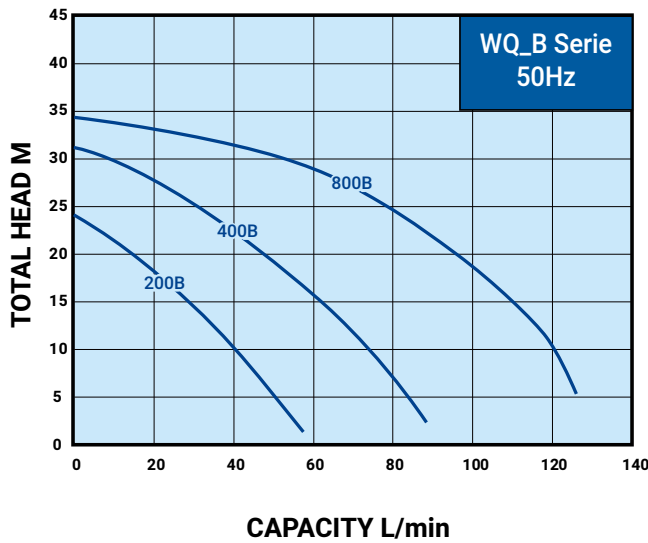
- Apartment and residential water supply
- Automatic booster system
- Underground pumping system
- Landscaping
- Drinking water system

Dimensions



Model	Cycle Hz	A mm	B mm	C mm
WQ200B	50/60	378	160	165
WQ400B	50/60	378	160	165
WQ800B	50/60	404	167	172
WQ800HB	60	404	167	172

Performance Curve



WQ_B Series 50Hz

Model	Power kW	Cycle Hz	Phase Ø	Volt V	Amp's A	Inlet in.	Outlet in.	Preset activation point kg/cm ²	H max. m	Q max. L/min	N.W. kg	G.W. kg	
WQ200B	0.18	50	1	200 - 240	1.5	1"	1"	1.6	24	58	8.9	9.5	36
WQ400B	0.37	50	1	200 - 240	2.8	1"	1"	2.0	31	87	9.9	10.5	36
WQ800B	0.75	50	1	200 - 240	4.7	1"	1"	2.0	34	125	11.8	12.4	36



WQ_B Series 60Hz

Model	Power kW	Cycle Hz	Phase Ø	Volt V	Amp's A	Inlet in.	Outlet in.	Preset activation point kg/cm ²	H max. m	Q max. L/min	N.W. kg	G.W. kg	
WQ200B	0.18	60	1	110 / 220	4.0 / 2.0	1"	1"	1.6	23	63	8.4	9.0	36
WQ400B	0.37	60	1	110 / 220	6.0 / 3.0	1"	1"	1.8	27	82	9.7	10.3	36
WQ800B	0.75	60	1	110 / 220	10.0/5.0	1"	1"	2.0	28	135	11.5	12.1	36
WQ800HB	0.75	60	1	110 / 220	10.0/5.0	1"	1"	2.5	45	100	11.5	12.1	36



WALRUS
PUMP

WALRUS PUMP CO., LTD.

Head office : No.83-14, Dapiantou, Sanzhi Dist.,

New Taipei City 252, Taiwan

Tel : (+886) 2 2636-1123~7

Fax : (+886) 2 8635-2660

Email : walrus.sales@walrus.com.tw



All specifications are subject to change without notice. WQ_B-EN000b-202410

