

TPHP Series Multistage Centrifugal Pump



50Hz

Power: 0.38- 1.2 kW

Head: Up to 55M

Flow: Up to 140 L/min

60Hz

Power: 0.54- 1.8 kW

Head: Up to 75M

Flow: Up to 140 L/min

Outlet: 1" -1¼"

Applications

The TPHP pumps are primarily designed for industrial applications:

Water supply and pressure boosting

Air-conditioning

Water treatment

Heating and cooling in industrial processes

Industrial washing and dish-washing machines

Softened water

Pressure boosting of process water

Fertilizer/dosing systems

Operating Conditions

1. Ambient temperature :Max. +40°C
2. Liquid temperature range:+0°C ~ +90°C
3. Operating pressure:Max. 10 kg/cm²
4. Inlet pressure:Max. 6 kg/cm²

Pump Construction

Horizontal, multistage centrifugal pump of the non selfpriming type with extended pump/motor shaft and fitted with a mechanical shaft seal.

Compact pump unit with small physical dimensions, axial suction port and radial discharge port.

Pumped liquids

Thin, clean and non-explosive liquids without solid particles or fibres.

The pumps are able to pump liquids such as demineralised water, softened water, sea water, cleaning solutions and light oils.

When pumping liquids with a density and/or viscosity higher than that of water, motors with correspondingly higher outputs must be used, if required.

Whether a pump is suitable for a particular liquid depends on a number of factors of which the most important are chloride content, pH value, temperature and content of solvents, oils, etc.

Motor

Enclosure protection class: IP54

Insulation class: F.

Frequency range: 50 / 60 Hz

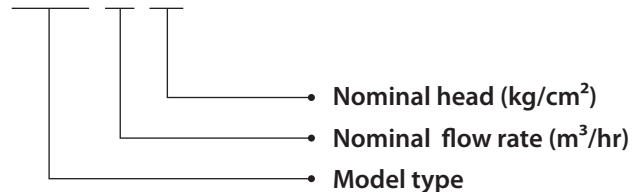
Nominal speed : 2900 / 3500 rpm

Standard voltages: 3Ø 200-240 / 380-440V, 50Hz

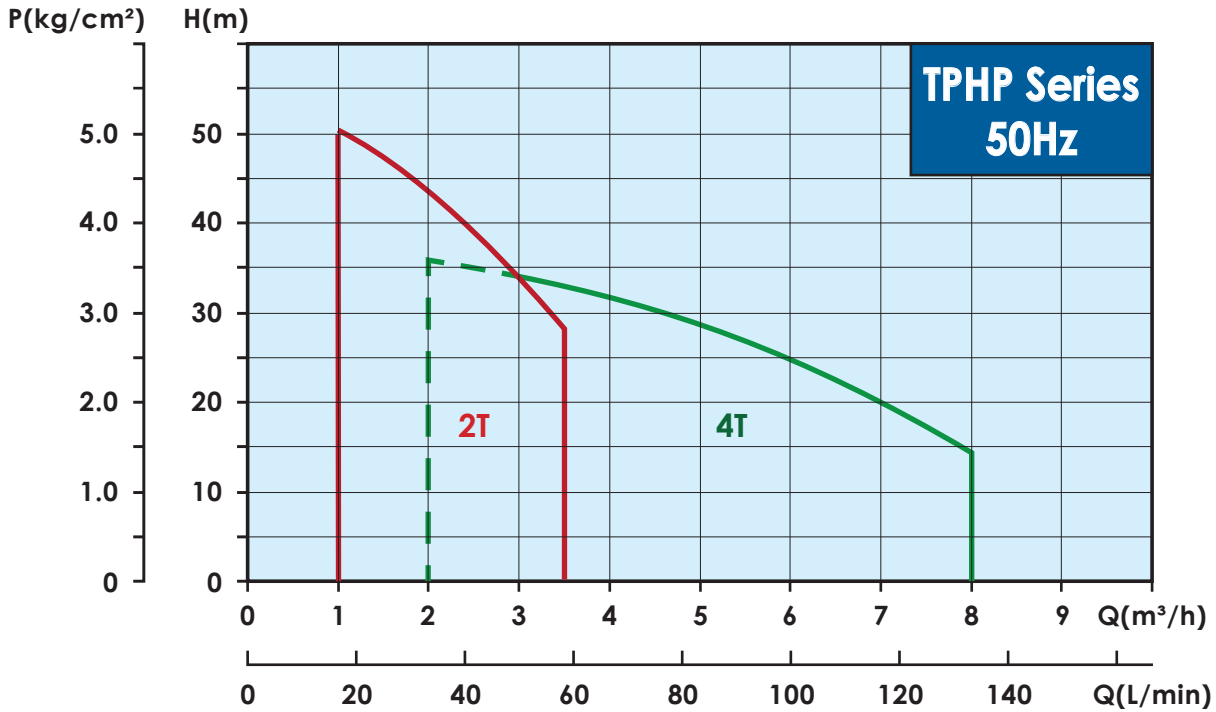
3Ø 200-255 / 380-480V, 60Hz

Model code

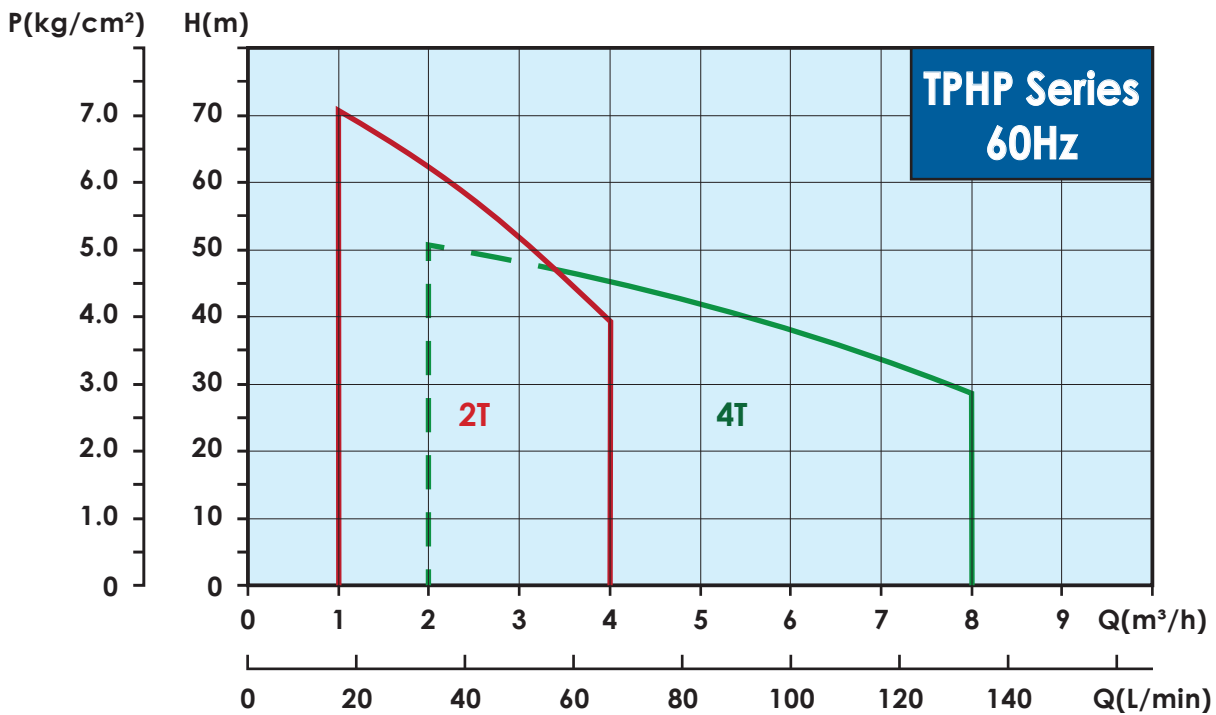
TPHP 4T 2K



Performance curve (50Hz)



Performance curve (60Hz)

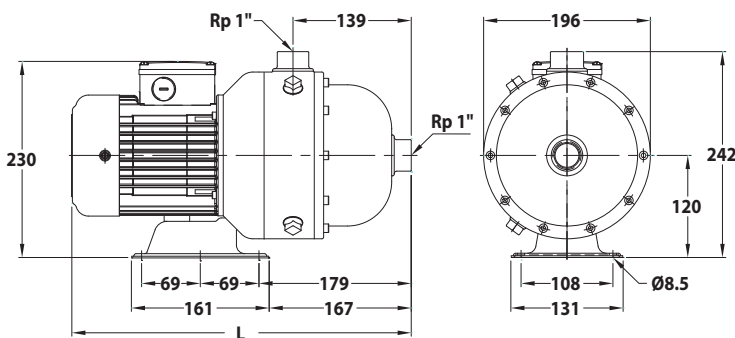



TPHP 2T

Electrical data, 50/60Hz

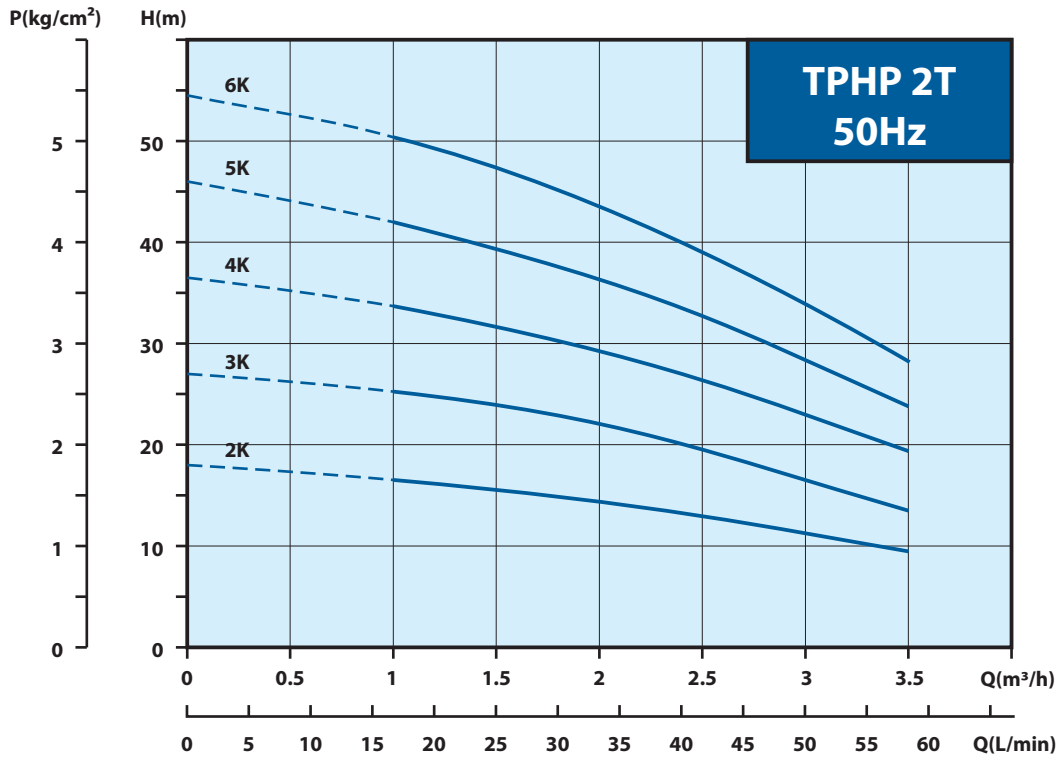
Model	PH (Ø)	Cycle (Hz)	Volts (V)	Input Power (W)	Input Ampere (A)
TPHP 2T 2K	3	50	200-240 / 380-440	380	1.7-2.2 / 1.1-1.4
		60	200-255 / 380-480	540	1.9-2.0 / 1.2-1.2
TPHP 2T 3K	3	50	200-240 / 380-440	500	1.9-2.3 / 1.2-1.5
		60	200-255 / 380-480	740	2.4-2.3 / 1.4-1.4
TPHP 2T 4K	3	50	200-240 / 380-440	620	2.2-2.4 / 1.3-1.6
		60	200-255 / 380-480	930	2.9-2.7 / 1.6-1.6
TPHP 2T 5K	3	50	200-240 / 380-440	810	2.9-3.8 / 1.8-2.6
		60	200-255 / 380-480	1170	3.7-3.6 / 2.2-2.2
TPHP 2T 6K	3	50	200-240 / 380-440	920	3.2-3.9 / 1.9-2.7
		60	200-255 / 380-480	1350	4.2-4.0 / 2.4-2.4

Dimensions (mm)

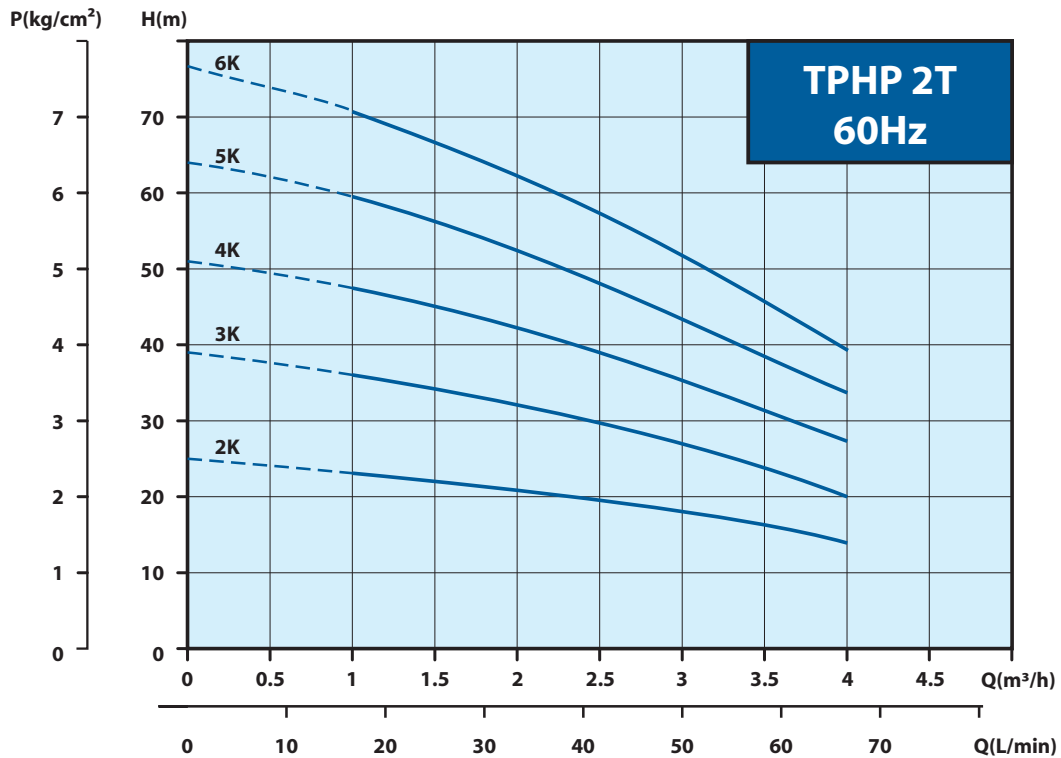


Model	L(mm)	N.W.(kg)	24 pcs 
TPHP 2T 2K	400	11.6	
TPHP 2T 3K	400	11.8	
TPHP 2T 4K	400	12.0	
TPHP 2T 5K	440	13.1	
TPHP 2T 6K	440	13.3	

Performance curve (50Hz)



Performance curve (60Hz)

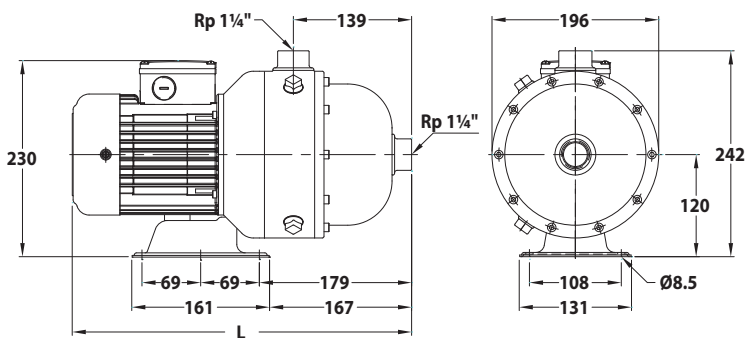



TPHP 4T

Electrical data, 50/60Hz

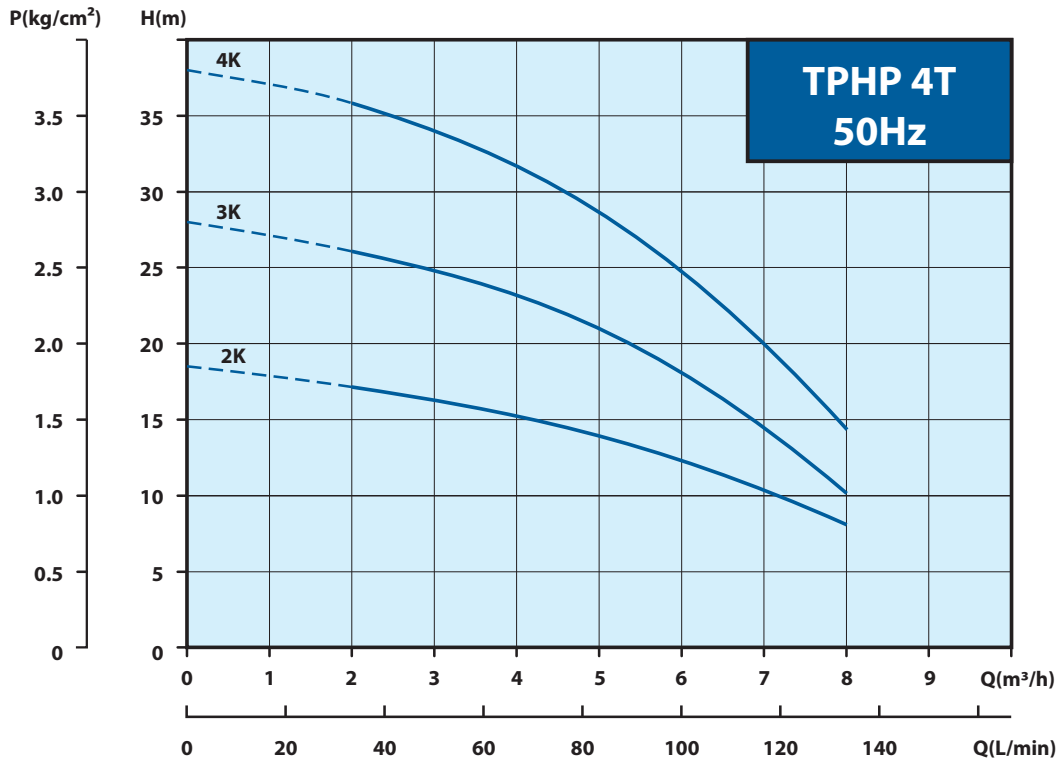
Model	PH (Ø)	Cycle (Hz)	Volts (V)	Input Power (W)	Input Ampere (A)
TPHP 4T 2K	3	50	200-240 / 380-440	670	2.3-2.5 / 1.4-1.6
		60	200-255 / 380-480	1000	3.1-2.8 / 1.7-1.7
TPHP 4T 3K	3	50	200-240 / 380-440	960	3.3-4.1 / 2.0-2.7
		60	200-255 / 380-480	1420	4.4-4.1 / 2.5-2.5
TPHP 4T 4K	3	50	200-240 / 380-440	1200	4.0-4.7 / 2.4-3.1
		60	200-255 / 380-480	1800	5.5-5.1 / 3.0-3.0

Dimensions (mm)



Model	L(mm)	N.W.(kg)	24 pcs 
TPHP 4T 2K	400	11.8	
TPHP 4T 3K	440	12.9	
TPHP 4T 4K	440	13.5	

Performance curve (50Hz)



Performance curve (60Hz)

